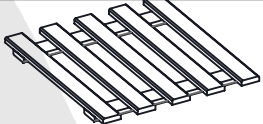






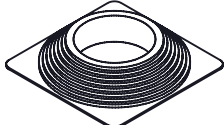

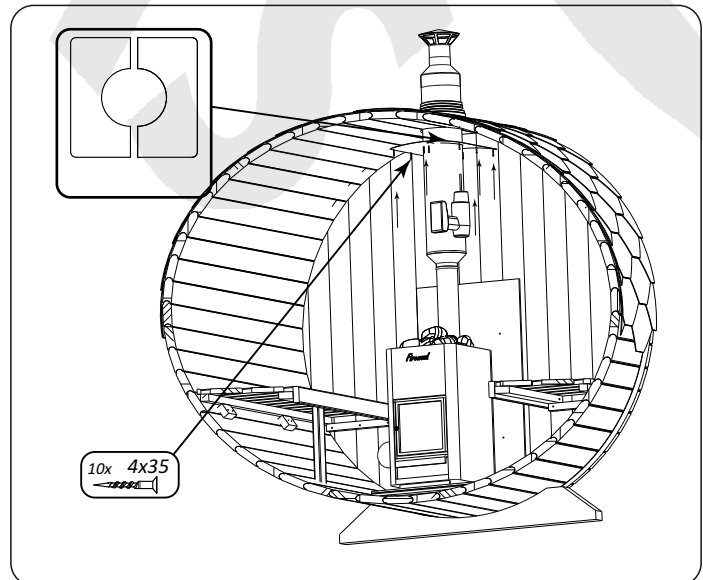
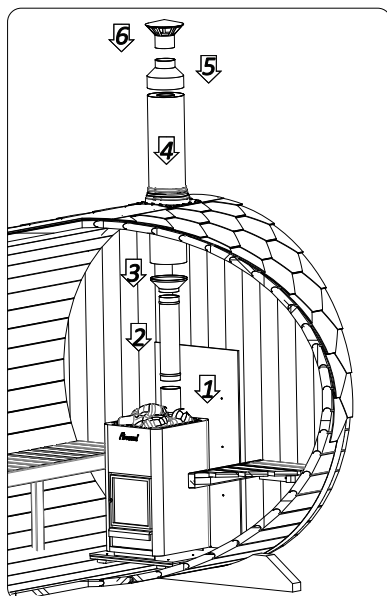
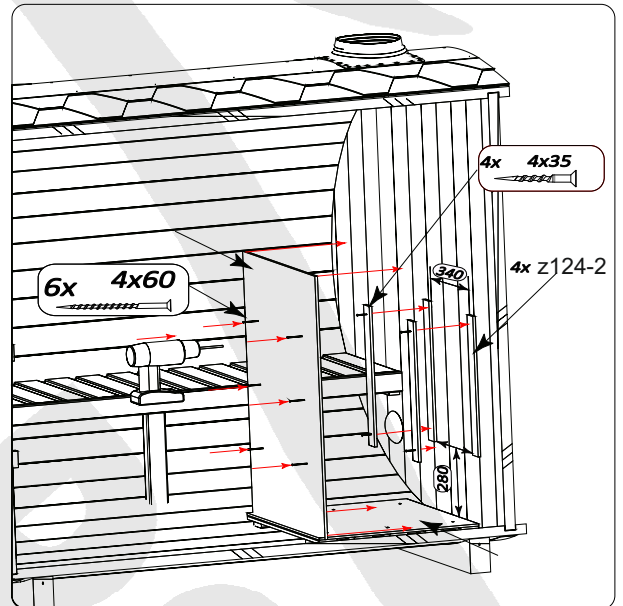
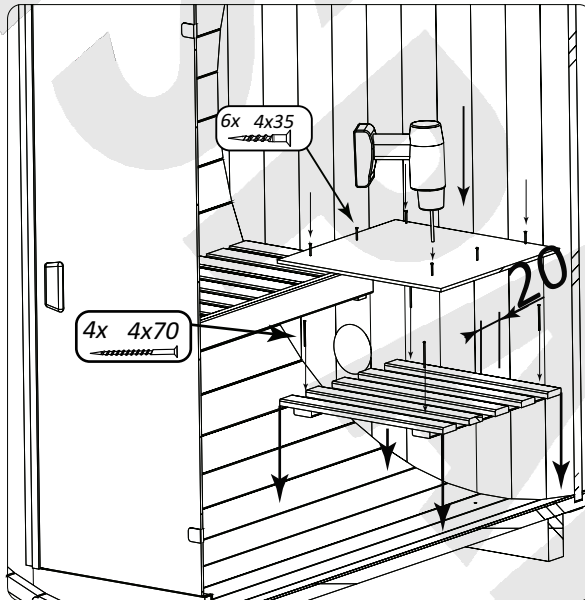
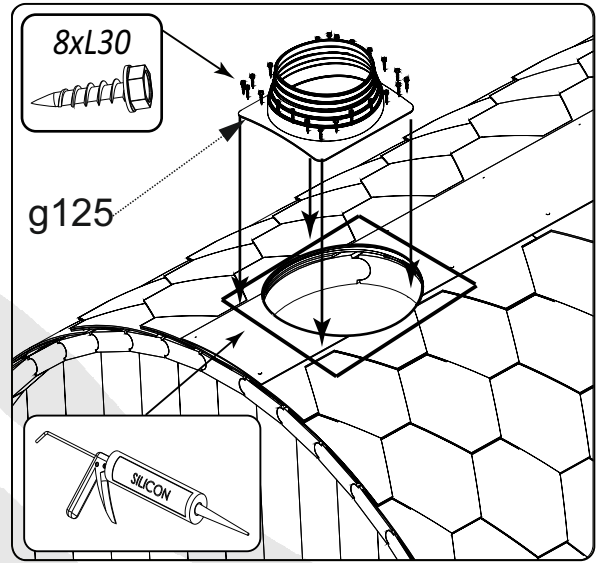
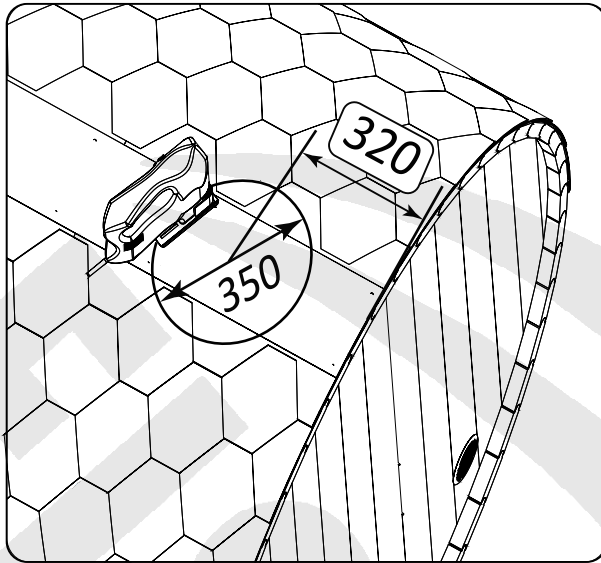
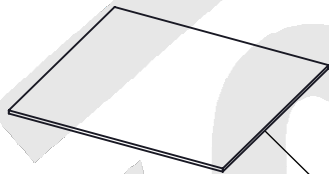


Nr	Size	Qty	Preview
po98		1	
z124		1	
z124-1		1	
z124-2		4	
	4x35	20	
	4x60	6	
	8xL30	32	
g125		1	
	4x70	4	

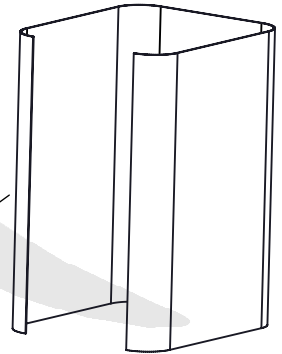


*For heater installation see manual or wood-burning heater

Protection panel



Protective sheath



Water tank

